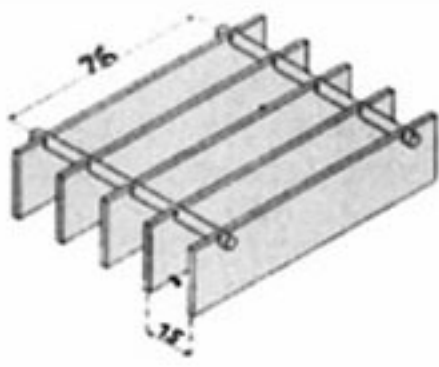
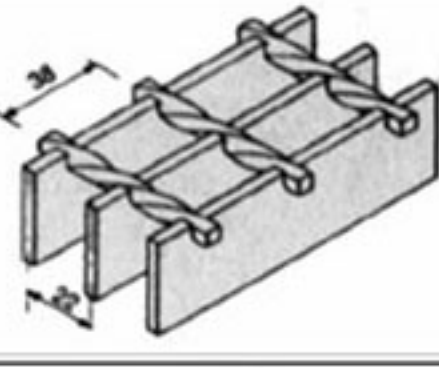
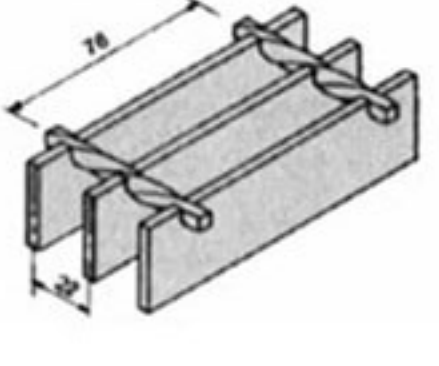
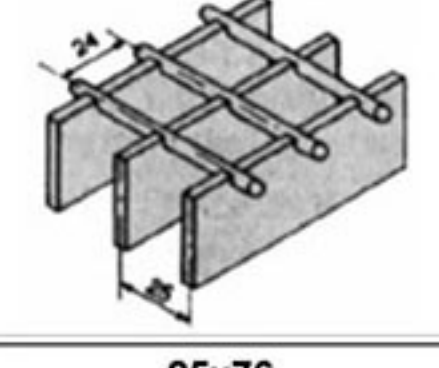
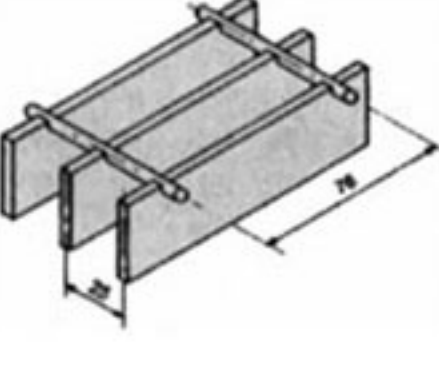
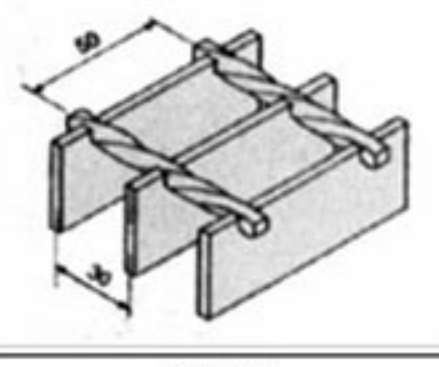
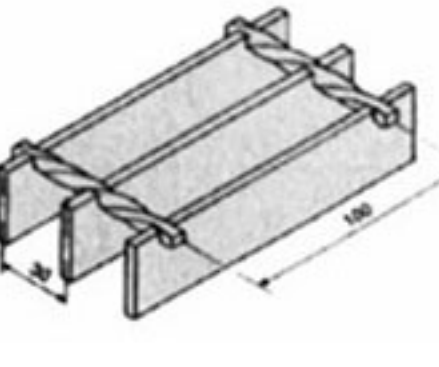
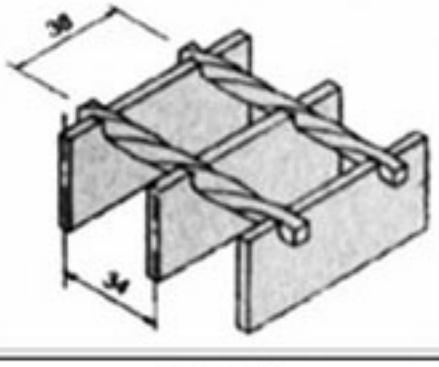
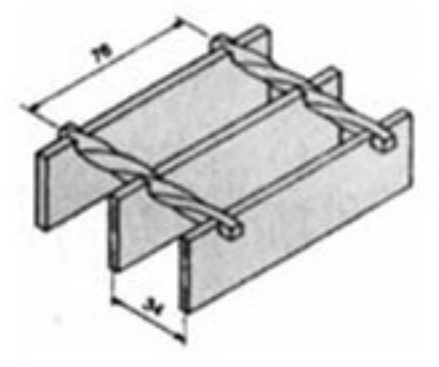


disponibili materiale zincato a caldo formato placche 1000x6000
a richiesta taglio o produzione a misura
TABELLE DI PORTATA

Maglia	piatto portante	Peso
	mm	kg
15x76		
	20x2	23.5
	25x2	29.1
	30x2	36.7
	25x3	43.2
	30x3	51.5
	40x3	68.0
22x38		
	20x2	19.9 / 18.0
22x76		
	25x2	22.6 / 20.9
	30x2	28.1 / 26.3
	40x2	36.2 / 34.5
	25x3	31.8 / 30.9
	30x3	37.6 / 36.6
	40x3	48.1
	50x3	63.0
	30x4	50.6
	40x4	66.6
	50x4	82.6
	60x4	99.3
	70x4	118.2
	25x24	
	20x2	18.9 / 15.8
25x76		
	25x2	21.2 / 18.4
	30x2	26.1 / 23.0
	40x2	33.4 / 30.4
	25x3	27.2
	30x3	32.2
	40x3	42.3
	50x3	55.6
	30x4	44.5
	40x4	58.6
	50x4	68.7
	60x4	83.0
	70x4	98.9
	30x50	
	25x3	24.9 / 23.0
30x100		
	30x3	29.2 / 27.2
	40x3	37.6 / 35.8
	30x4	36.9 / 37.5
	40x4	46.8
	50x4	63.3 / 61.3
	60x4	76.6 / 73.7
	25x5	40.8 / 38.8
	30x5	48.1 / 46.2
	40x5	62.9 / 61.0
34x38		
	20x2	14.4 / 12.6
34x76		
	25x2	16.2 / 14.5
	30x2	19.9 / 18.0
	40x2	25.4 / 23.6
	25x3	22.2 / 21.3
	30x3	26.0 / 25.1
	40x3	33.7 / 32.6
	50x3	43.6 / 42.7
	30x4	36.9 / 34.3
	40x4	42.3
	50x4	58.1 / 55.5
	60x4	68.4 / 66.9
	25x5	37.9 / 35.4
	30x5	44.6 / 41.9
	40x5	57.7 / 55.1